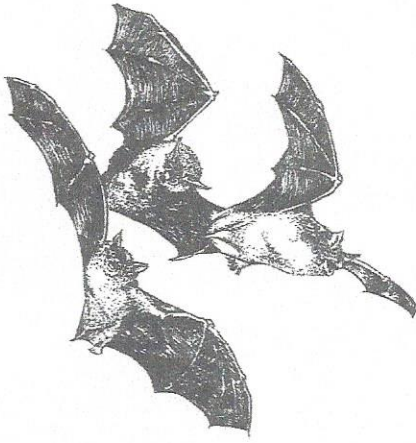
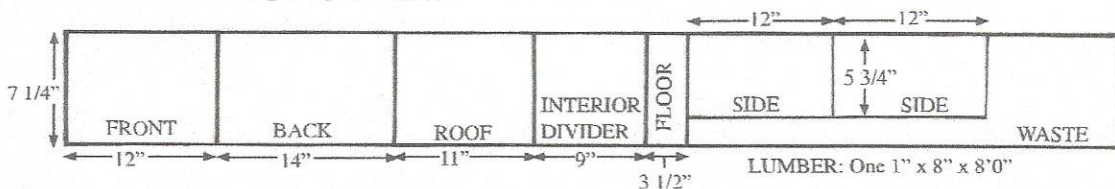
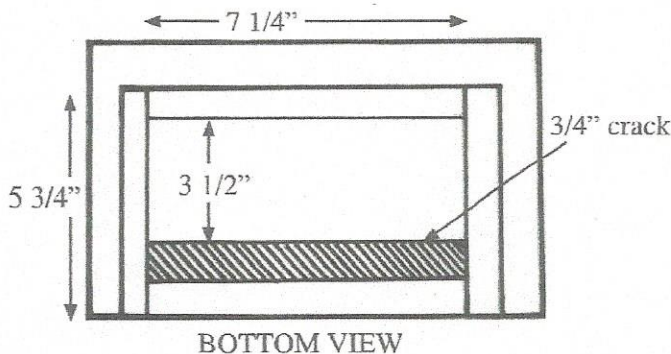
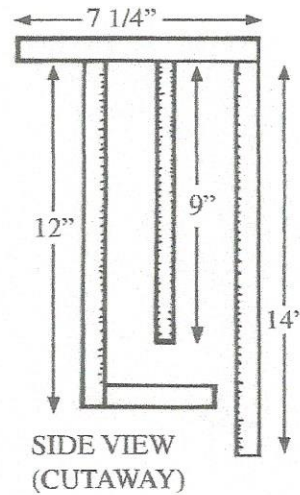
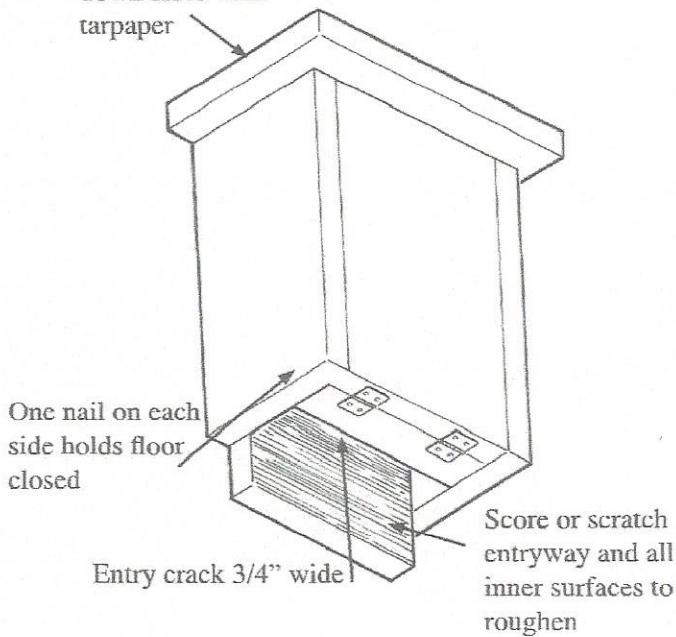


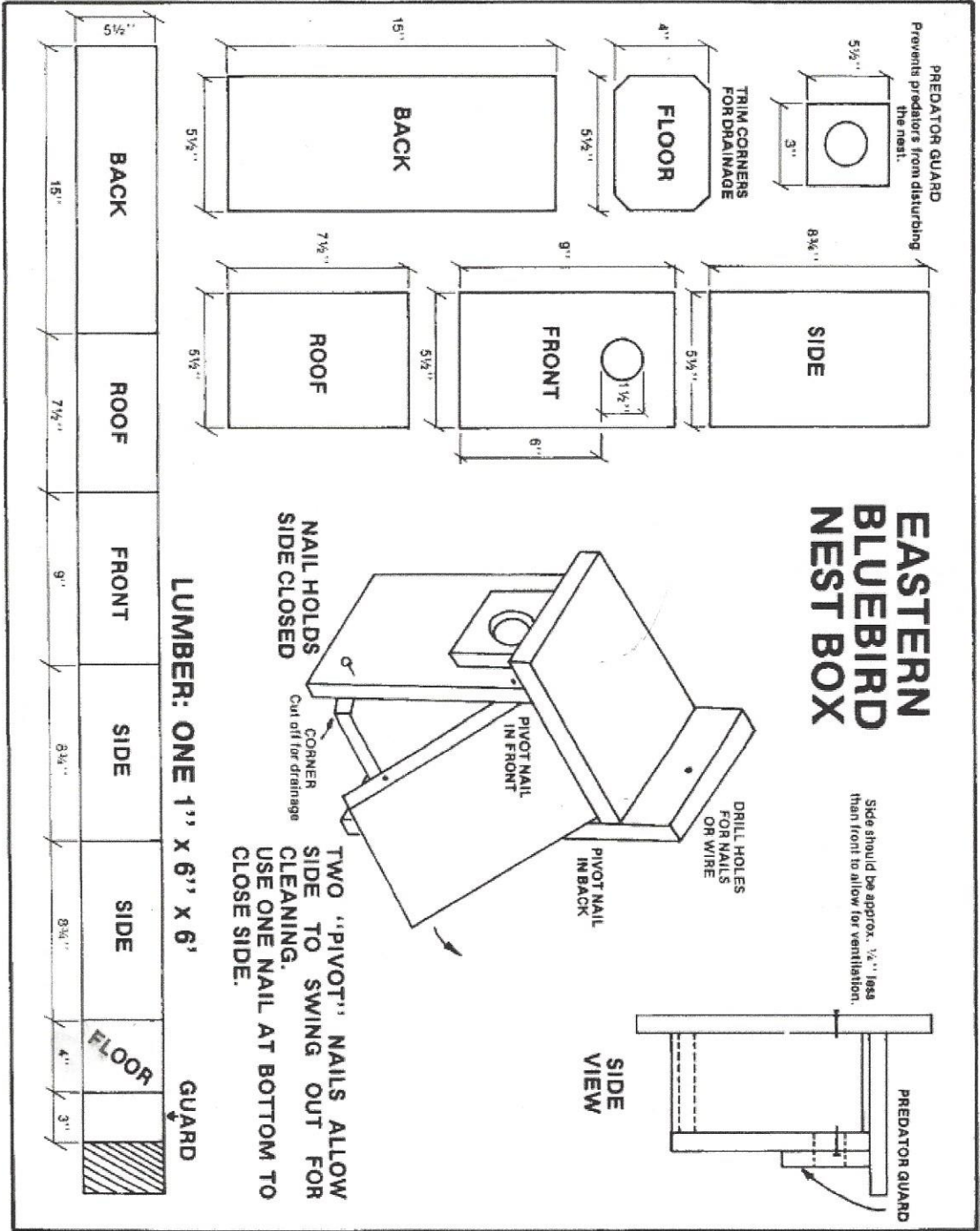
BAT HOUSE



Bat houses should be fastened securely to a pole or the side of a building, 12 to 15 feet above ground. They should be on the east side of the house or pole where they will receive sun during the morning and be shaded during the afternoon. Sites protected from the wind and near rivers, lakes, bogs, or marshes where insect populations are high will increase the likelihood of use. Bat houses should be put up before April. Here in Ohio, it is a good idea to paint a bat house either black or brown to increase the absorption of solar radiation.

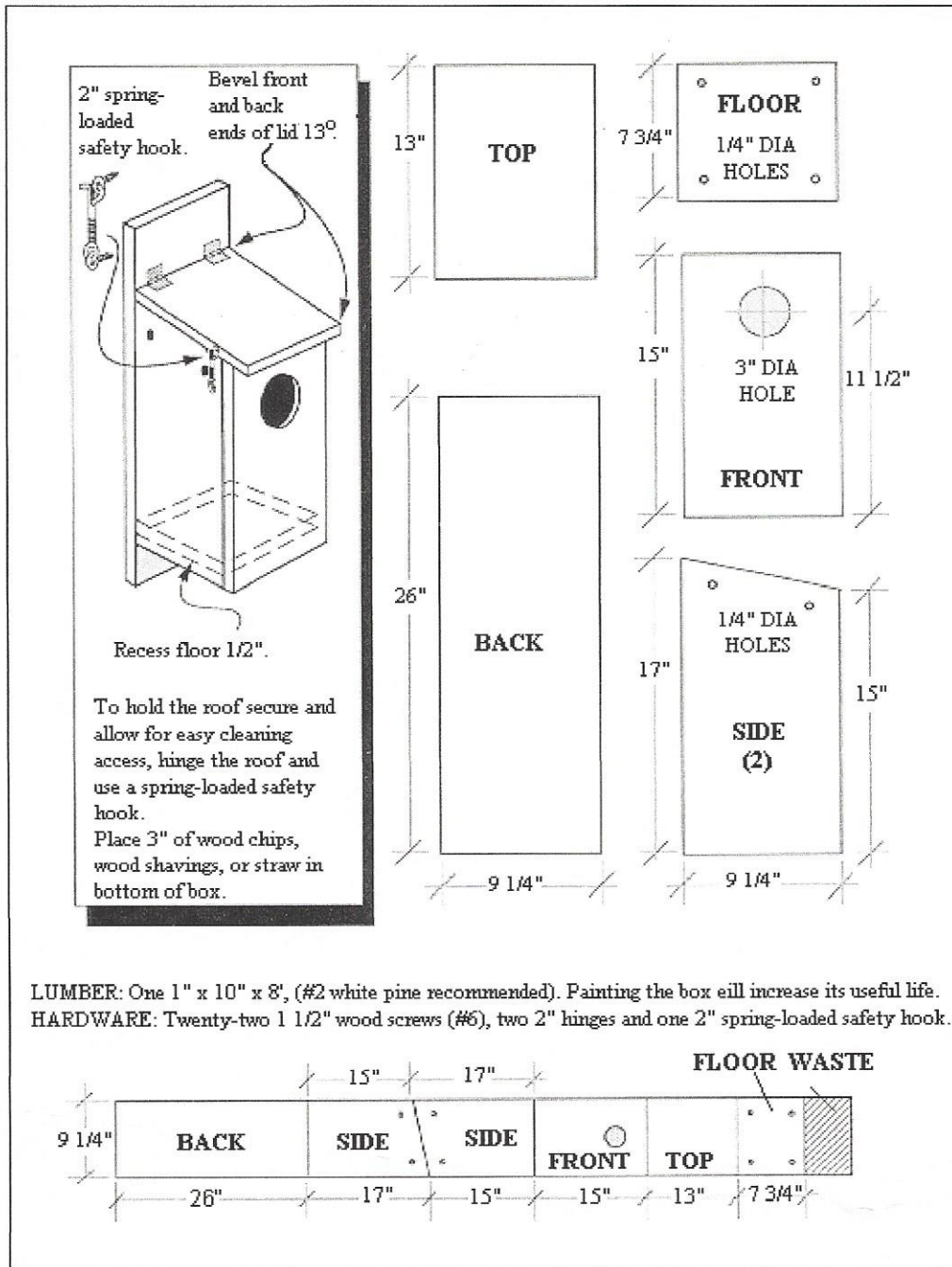
Cover top and 2" down sides with tarpaper





Saws
Plates

Wild Acres - Kestrel Nest Box Plan



How to Build a Kestrel Box

Materials:

- One 1" x 10" x 8' board
- Two hinges
- 1 1/2" galvanized nails
- Wire